

GFA
123 West Front Street
Traverse City, Michigan 49684

Date: May 5, 2017

ADDENDUM NUMBER 2

<u>PROJECT</u>	<u>BIDS DUE</u>
GFA Project No: 17039	Date: May 11, 2017 Time: 2:00 PM Location: Cheboygan City Hall 403 North Huron Street Cheboygan, MI 49721

The Addendum is issued prior to the receipt of bid proposals to amend the Contract Documents as follows. Bidders shall acknowledge receipt of this addendum by means of a handwritten note on the Bid Schedule.

1. The specifications state that the sanitary sewer pipe used shall be SDR 26. Sanitary Note 2 on Sheet C1.2 in the plan set states that the sanitary sewer pipe shall be SDR 35. SDR 35 is the correct specification.
2. Typical Cross Sections on Sheet C3.3 of the Plan Set have been updated per MDOT requirement. See attached.
3. Estimated Quantities Table on Sheet C2.2 of the Plan Set has been revised (Mix Type) per MDOT requirement. See attached.

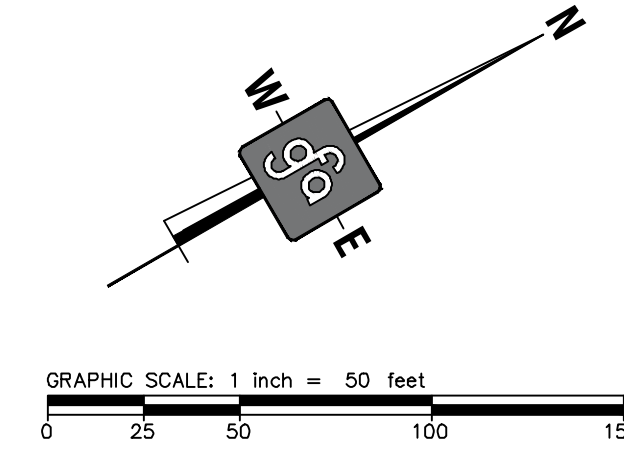
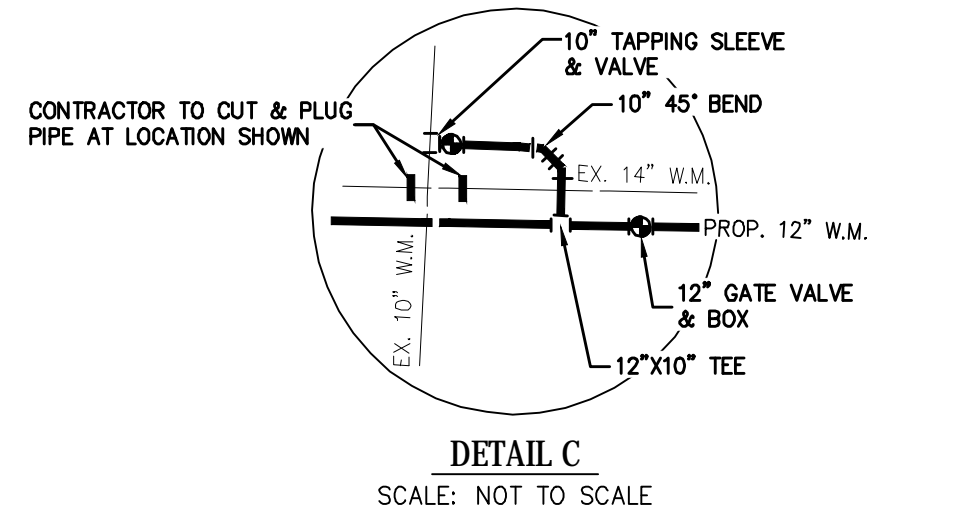
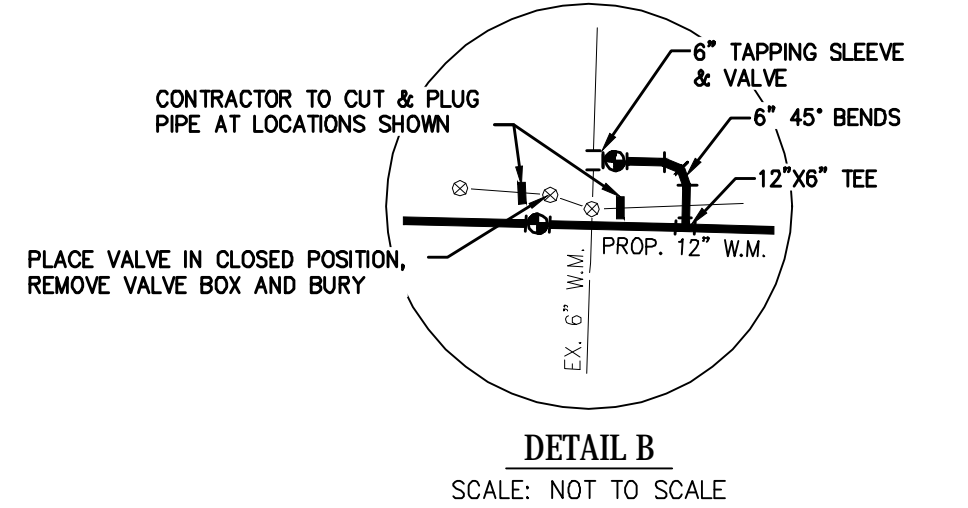
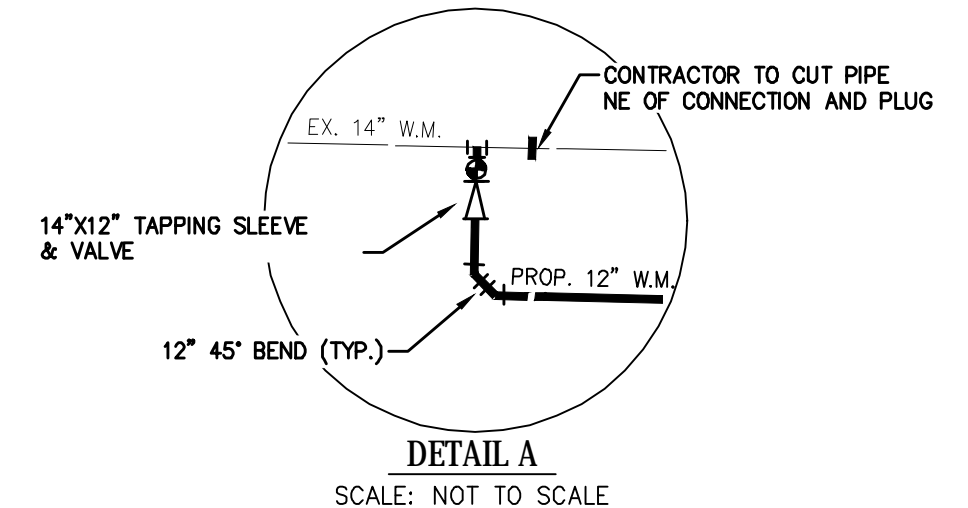
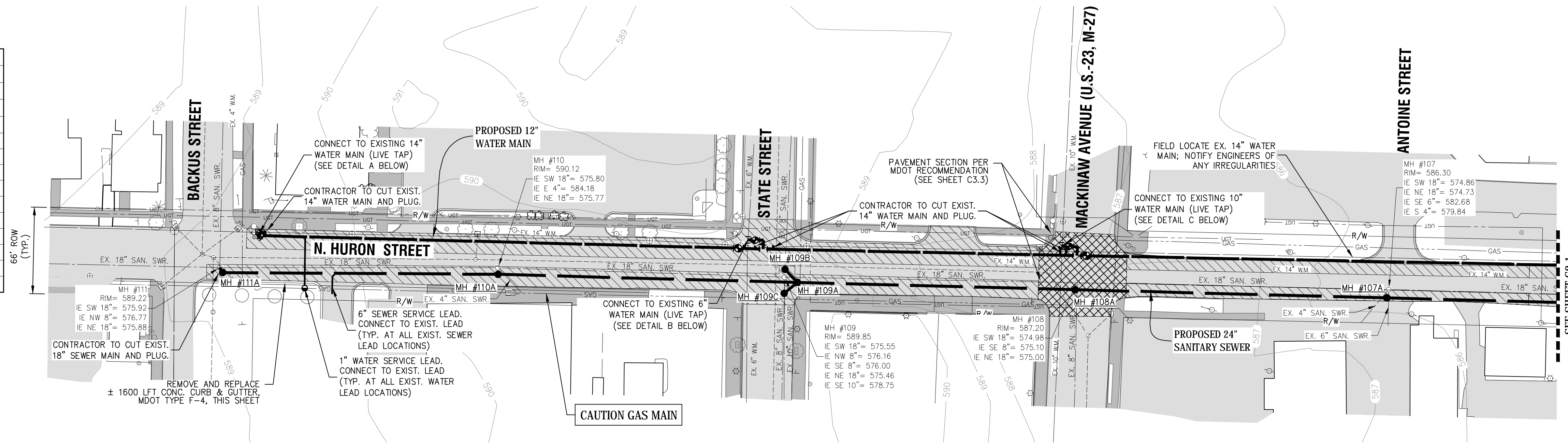
This Addendum No. 2 becomes part of the Contract Documents as of this date and supersedes the information in the originally issued Contract Documents where applicable. The Contractor shall acknowledge receipt of the Addendum in the Bid Schedule included with his/her bid.

BID FORM

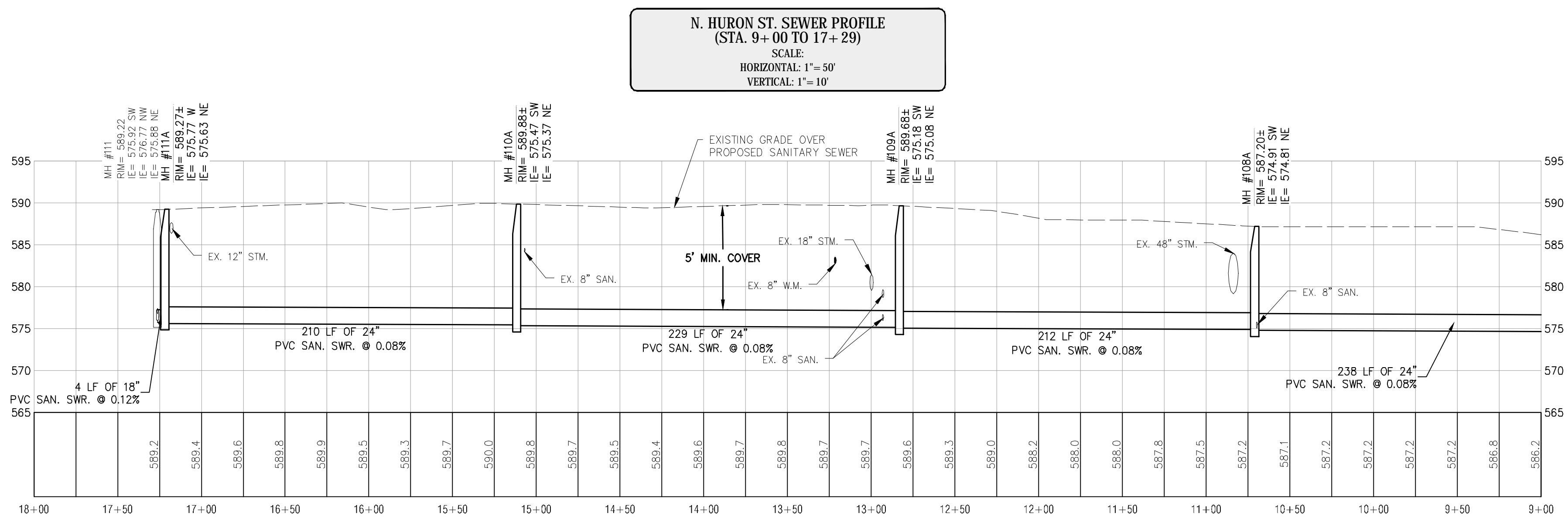
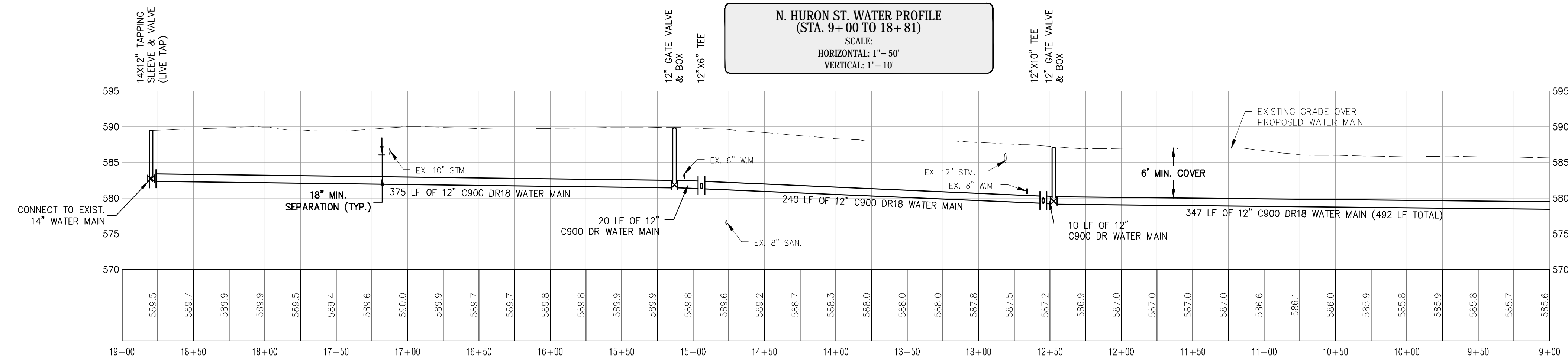
Item No.	MDOT Pay Code	Description	Unit	Estimated Quantity	Bid Unit Price	Bid Price
1	1500001	Mobilization, Max. \$80,000.00	LS	1		
2	2030015	Sewer, Rem, Less than 24 inch	FT	100		
3	2040020	Curb and Gutter, Rem	FT	1600		
4	2040050	Pavt, Rem	SYD	600		
5	2040055	Sidewalk, Rem	SYD	1300		
6	2057011	HMA Roadway Repr	SYD	4610		
7	2080020	Erosion Control, Inlet Protection, Fabric Drop	EA	5		
8	3020001	Aggregate Base	TON	100		
9	4020030	Sewer, CI A, 6 inch, Tr Det B	FT	100		
10	4020031	Sewer, CI A, 8 inch, Tr Det B	FT	100		
11	4020040	Sewer, CI A, 48 inch, Tr Det B	FT	40		
12	4021202	Sewer Tap, 8 inch	EA	4		
13	4021207	Sewer Tap, 24 inch	EA	2		
14	4027050	San Manhole with Cover, 48 inch	EA	9		
15	4027050	San Manhole with Cover, 60 inch	EA	1		
16	4027050	Sewer Lead	EA	10		
17	4027050	Sewer Lead, Long	EA	10		
18	4030005	Dr Structure Cover, Adj, Case 1	EA	2		
19	4030230	Dr Structure, 72 inch dia	EA	1		
20	5010005	HMA Surface, Rem	SYD	430		
21	5010044	HMA, 3E1	TON	180		
22	5010050	HMA, 4E1	TON	65		

ESTIMATED QUANTITIES, NORTH HURON STREET

HMA ROADWAY REPR (440 LB/SQ. YD.)	3,190	SYD
HMA SURFACE, REM	430	SYD
HMA, 4E1	65	TON
HMA, 3E1	180	TON
CONC. PAVEMENT, REMOVE	600	SYD
CONC. SIDEWALK REMOVAL	1300	SYD
4" CONC. SIDEWALK	10000	SFT
4" SIDEWALK, RAMP	1700	SFT
12" PVC WATER MAIN	995	LF
10" PVC WATER MAIN	20	LF
6" PVC WATER MAIN	20	LF
24" PVC SEWER MAIN	920	LF
SANITARY MANHOLE	7	EA
SANITARY MANHOLE, REM	4	EA



NOTE:
CONTRACTOR IS RESPONSIBLE TO FIELD VERIFY EXISTING WATER SERVICE LEADS.
EXISTING SANITARY SEWER LEAD LOCATIONS ARE UNKNOWN AND MAY BE IN CLOSE PROXIMITY TO EXISTING WATER SERVICES; CONTRACTOR TO PROTECT EXISTING SANITARY SEWER LEADS.
LOCATIONS OF EXISTING WATER SERVICE UNKNOWN (TYP.) CONTRACTOR TO LOCATE AND CONNECT TO EX. SERVICE AT ROW AND CONNECT TO NEW WATER MAIN AFTER TESTING AND ACCEPTANCE.



REVISIONS AND MODIFICATIONS TO THIS DRAWING SET SHALL BE MADE BY THE ENGINEER.

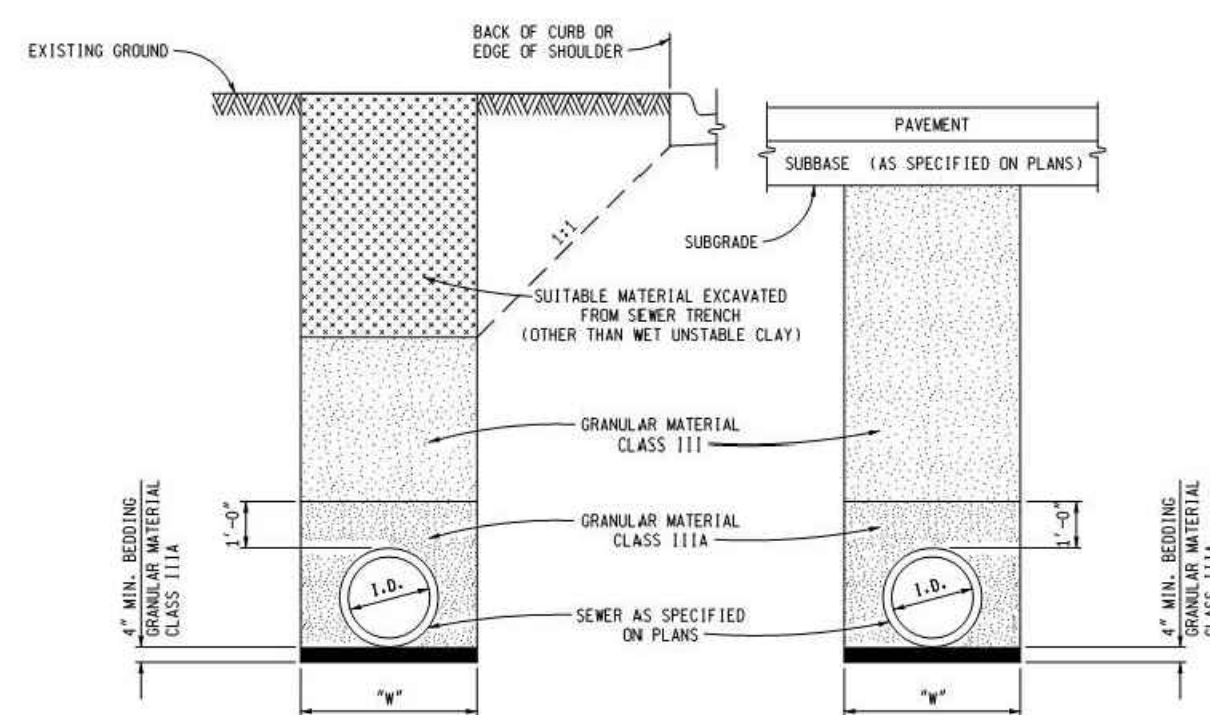
<http://gfa.ca>
 231.946.5874 (p)
 231.946.3703 (f)

ENGINEERING
 SURVEYING
 TESTING & OPERATIONS
 123 West Front Street
 Traverse City, MI 49684

CITY OF CHEBOYGAN
N. HURON ST. WATER MAIN/SANITARY SEWER REPLACEMENT
 PLAN AND PROFILE SHEET
 CITY OF CHEBOYGAN, CHEBOYGAN COUNTY, MICHIGAN

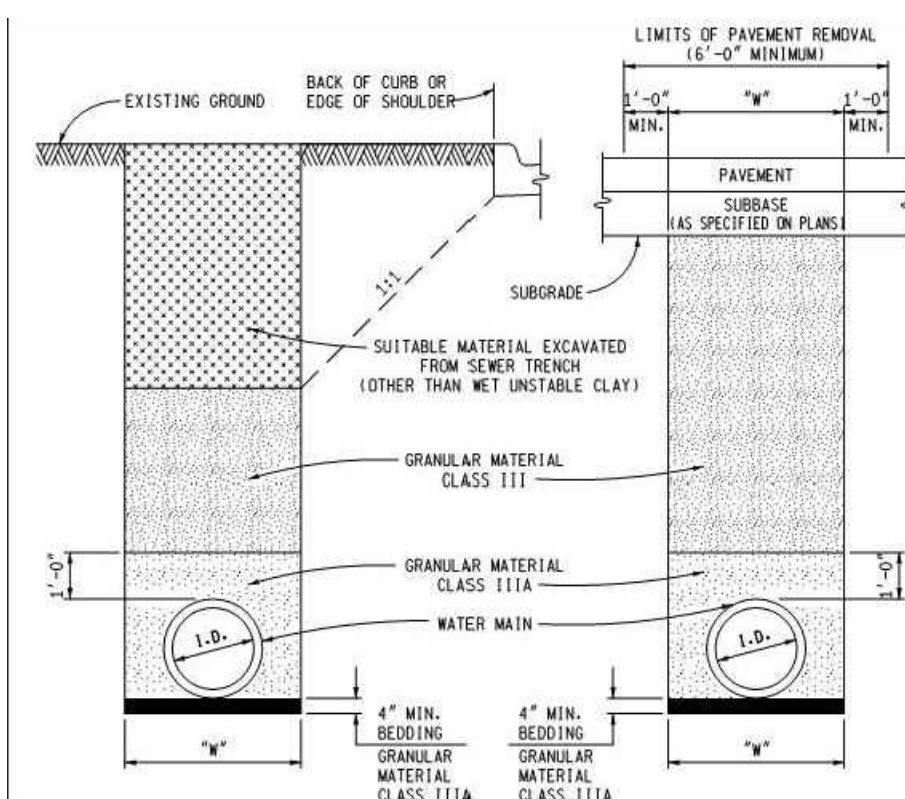
PREPARED BY: T. GRAHAM
 CHECKED BY: B. BOALS
 DATE: 17039
 SHEET: C2.2

These documents are prepared in accordance with the contractual terms and conditions for this project.



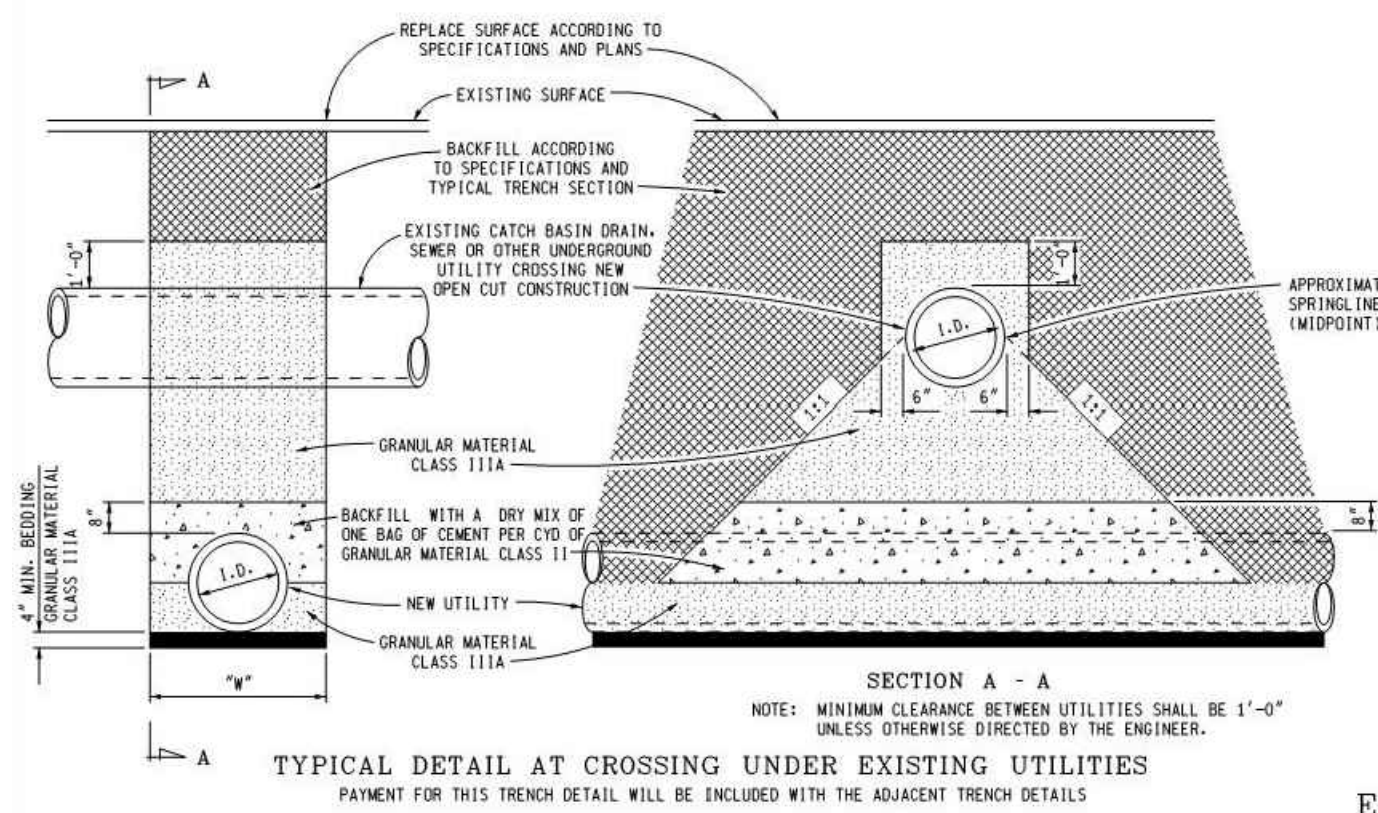
SEWER UNDER ROADBED OR WITHIN INFLUENCE OF ROADBED PLASTIC PIPE

B2



WATER MAINS UNDER ROADBED OR WITHIN INFLUENCE OF ROADBED

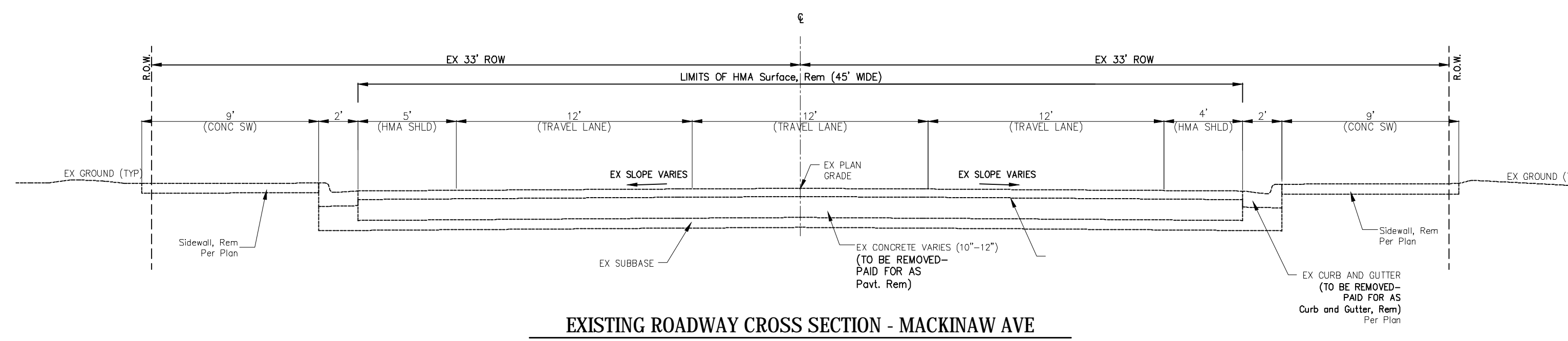
G



TYPICAL DETAIL AT CROSSING UNDER EXISTING UTILITIES

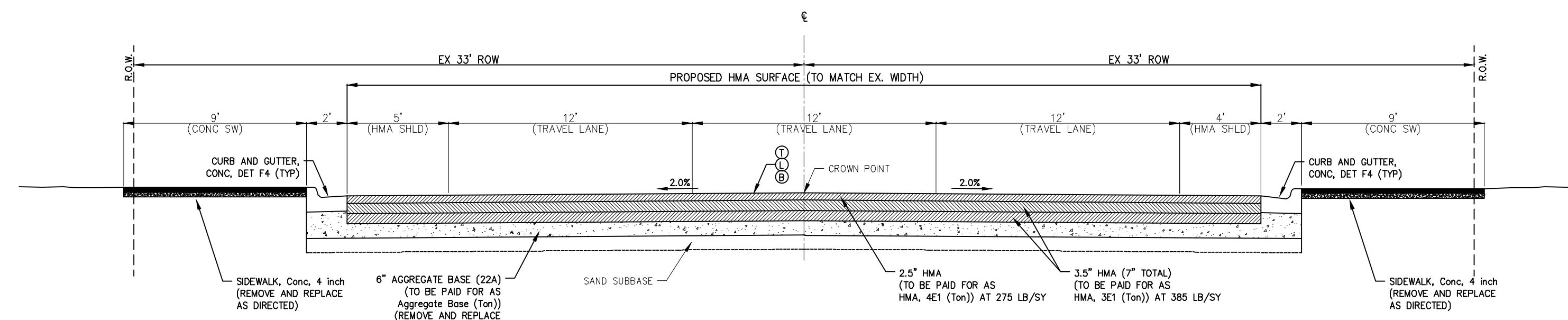
E

HMA APPLICATION ESTIMATE				
IDENT NO.	ITEM	RATE PER SYD	ASPHALT BINDER	REMARKS
T	HMA, 4E1	275 lb/SYD	PG 58-28	TOP COURSE AWI 220
L	HMA, 3E1	385 lb/SYD	PG 58-28	LEVELING COURSE
B	HMA, 3E1	385 lb/SYD	PG 58-28	BASE COURSE
	HMA BOND COAT	0.05-0.15 GAL/SYD		FOR INFORMATION ONLY



EXISTING ROADWAY CROSS SECTION - MACKINAW AVE

TO APPLY: MACKINAW AVE & N HURON ST INTERSECTION



PROPOSED ROADWAY CROSS SECTION - MACKINAW AVE

TO APPLY: MACKINAW AVE & HURON ST INTERSECTION

CITY OF CHEBOYGAN
N. HURON ST. WATER MAIN/SANITARY SEWER REPLACEMENT
 MDOT ROAD TYPICAL CROSS SECTIONS / MDT DETAILS
 CITY OF CHEBOYGAN, CHEBOYGAN COUNTY, MICHIGAN

DATE: 10/20/2016
 DRAWN BY: T. GRAHAM
 CHECKED BY: B. BOALS
 PROJECT NO.: 17039
 SHEET NO.: C33

ENGINEERING SURVEYING TESTING & OPERATIONS
 123 West Front Street
 Traverse City, MI 49684



http://gfa.tc
 231.946.5874 (p)
 231.946.3703 (f)

These documents are prepared in accordance with the contractual terms and conditions for this project.